



■ Features :

- Universal AC input / Full range
- Built in active PFC function, PF>0.95
- Protections: Short circuit / Overload / Over voltage / Over temperature
- Forced air cooling by built-in DC fan
- High power density 5.18w/in³
- Low profile:43mm thickness
- Built-in remote ON-OFF control
- Built-in remote sense function
- Active AC surge current limiting
- 3 years warranty



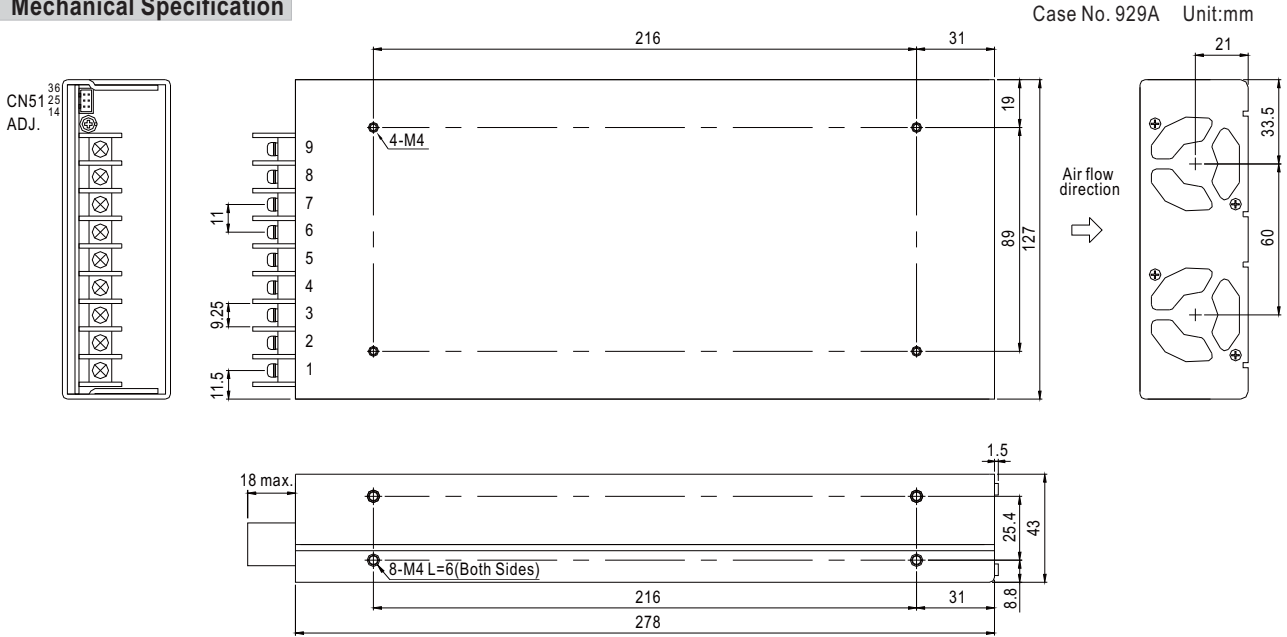
SPECIFICATION

MODEL	SP-480-3.3	SP-480-5	SP-480-12	SP-480-15	SP-480-24	SP-480-48	
OUTPUT	DC VOLTAGE	3.3V	5V	12V	15V	24V	48V
	RATED CURRENT	85A	85A	40A	32A	20A	10A
	CURRENT RANGE	0 ~ 85A	0 ~ 85A	0 ~ 43A	0 ~ 35A	0 ~ 22A	0 ~ 11A
	RATED POWER	280.5W	425W	480W	480W	480W	480W
	PEAK LOAD(10min.) Note.5	280.5W	425W	516W	525W	528W	528W
	RIPPLE & NOISE (max.) Note.2	80mVp-p	80mVp-p	120mVp-p	150mVp-p	150mVp-p	240mVp-p
	VOLTAGE ADJ. RANGE	2.9 ~ 3.6V	4.5 ~ 5.5V	10.8 ~ 13.2V	13.5 ~ 18V	22 ~ 27.6V	41 ~ 56V
	VOLTAGE TOLERANCE Note.3	±2.0%	±2.0%	±1.5%	±1.5%	±1.0%	±1.0%
	LINE REGULATION	±0.5%	±0.5%	±0.3%	±0.3%	±0.2%	±0.2%
	LOAD REGULATION	±1.0%	±1.0%	±0.5%	±0.5%	±0.5%	±0.5%
	SETUP, RISE TIME	1000ms, 80ms/230VAC 2500ms, 80ms/115VAC at full load					
HOLD UP TIME (Typ.)	18ms/230VAC 18ms/115VAC at full load						
INPUT	VOLTAGE RANGE Note.6	85 ~ 264VAC	120 ~ 370VDC				
	FREQUENCY RANGE	47 ~ 63Hz					
	POWER FACTOR (Typ.)	PF>0.95/230VAC		PF>0.98/115VAC at full load			
	EFFICIENCY (Typ.)	74%	79%	85%	85%	88%	89%
	AC CURRENT (Typ.)	6.5A/115VAC	3.5A/230VAC				
	INRUSH CURRENT (Typ.)	20A/115VAC	40A/230VAC				
	LEAKAGE CURRENT	<2mA / 240VAC					
PROTECTION	OVERLOAD	87 ~ 103A	87 ~ 103A	45.15 ~ 58.05A	36.75 ~ 47.25A	23.1 ~ 29.7A	11.55 ~ 14.85A
		Protection type : Constant current limiting, recovers automatically after conditions is removed					
	OVER VOLTAGE	3.8 ~ 4.45V	5.75 ~ 6.75V	13.8 ~ 16.2V	18 ~ 21V	28.8 ~ 33.6V	57.6 ~ 67.2V
	Protection type : Shut down o/p voltage, re-power on to recover						
	OVER TEMPERATURE Note.4	Shut down o/p voltage, recovers automatically after temperature goes down					
FUNCTION	REMOTE CONTROL	RC+/RC-: 0 ~ 0.8V=power on ; 4 ~ 10V=power off					
ENVIRONMENT	WORKING TEMP.	-20 ~ +60°C (Refer to "Derating Curve")					
	WORKING HUMIDITY	20 ~ 90% RH non-condensing					
	STORAGE TEMP., HUMIDITY	-40 ~ +85°C, 10 ~ 95% RH non-condensing					
	TEMP. COEFFICIENT	±0.03%/°C (0 ~ 50°C)					
	VIBRATION	10 ~ 500Hz, 2G 10min./1cycle, 60min. each along X, Y, Z axes					
SAFETY & EMC (Note 7)	SAFETY STANDARDS	UL60950-1, TUV EN60950-1 approved					
	WITHSTAND VOLTAGE	I/P-O/P:3KVAC I/P-FG:2KVAC O/P-FG:Short					
	ISOLATION RESISTANCE	I/P-O/P, I/P-FG:100M Ohms / 500VDC / 25°C / 70% RH					
	EMC EMISSION	Compliance to EN55032 (CISPR32) Class B, EN61000-3-2,-3					
	EMC IMMUNITY	Compliance to EN61000-4-2,3,4,5,6,8,11, EN61000-6-2 (EN50082-2), light industry level, criteria A					
OTHERS	MTBF	120.5K hrs min. MIL-HDBK-217F (25°C)					
	DIMENSION	278*127*43mm (L*W*H)					
	PACKING	1.7Kg; 6pcs/11.3Kg/0.67CUFT					

NOTE

1. All parameters NOT specially mentioned are measured at 230VAC input, rated load and 25°C of ambient temperature.
2. Ripple & noise are measured at 20MHz of bandwidth by using a 12" twisted pair-wire terminated with a 0.1uf & 47uf parallel capacitor.
3. Tolerance : includes set up tolerance, line regulation and load regulation.
4. TSW1: Detect on heatsink of power transistor.
TSW2: Detect on heatsink of output diode.
5. 33% Duty cycle maximum within every 30 minute. Average output power should not exceed the rated power.
6. Derating may be needed under low input voltages. Please check the derating curve for more details.
7. The power supply is considered a component which will be installed into a final equipment. All the EMC tests are been executed by mounting the unit on a 360mm*360mm metal plate with 1mm of thickness. The final equipment must be re-confirmed that it still meets EMC directives. For guidance on how to perform these EMC tests, please refer to "EMI testing of component power supplies." (as available on <http://www.meanwell.com>)
8. The ambient temperature derating of 3.5°C/1000m with fanless models and of 5°C/1000m with fan models for operating altitude higher than 2000m(6500ft).

Mechanical Specification



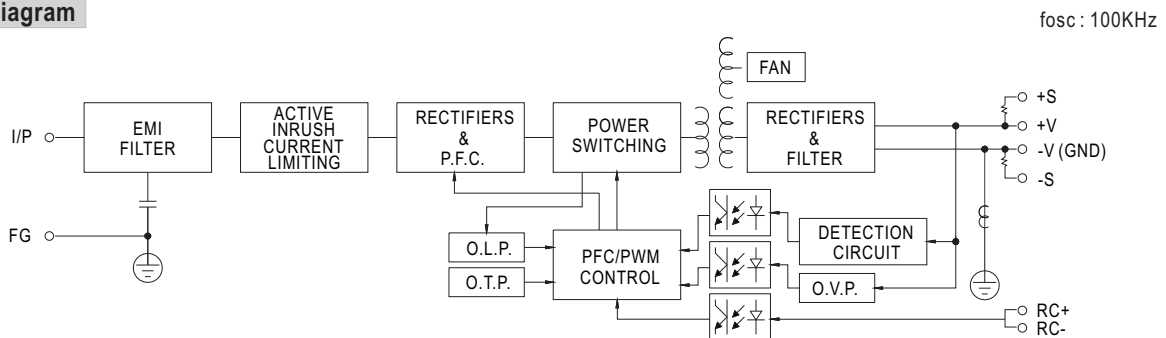
Terminal Pin No. Assignment :

Pin No.	Assignment	Pin No.	Assignment
1	AC/L	4~6	-V
2	AC/N	7~9	+V
3	FG \perp		

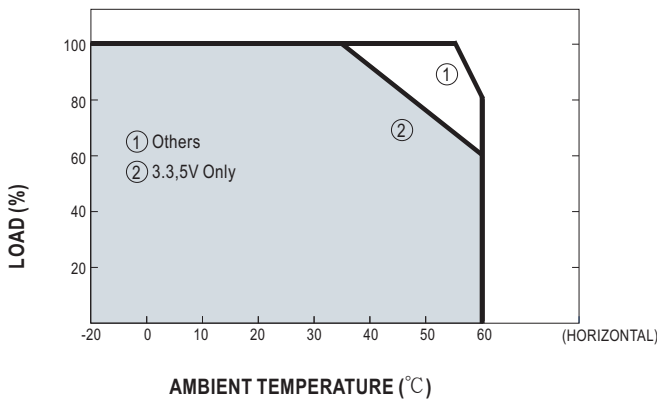
Connector Pin No. Assignment (CN51) : HRS DF11-6DP-2DS or equivalent

Pin No.	Assignment	Pin No.	Assignment	Mating Housing	Terminal
1	GND	4	N.C.	HRS DF11-6DS or equivalent	HRS DF11-**SC or equivalent
2	RC-	5	RC+		
3	-S	6	+S		

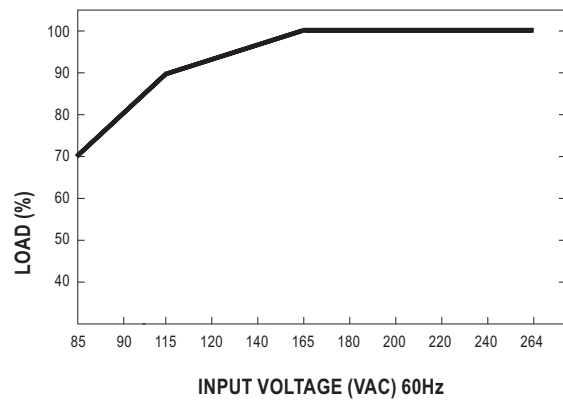
Block Diagram



Derating Curve

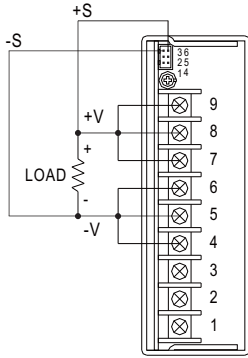


Static Characteristics



Control Terminal Instruction Manual

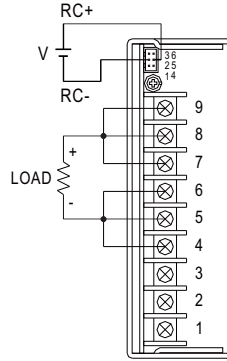
Remote Sensing



Remote Control

Power on : V is 0 ~ 0.8V

Power off : V is 4 ~ 10V



Mouser Electronics

Authorized Distributor

Click to View Pricing, Inventory, Delivery & Lifecycle Information:

MEAN WELL:

[SP-480-5](#) [SP-480-12](#) [SP-480-3.3](#) [SP-480-24](#) [SP-480-48](#) [SP-480-15](#)